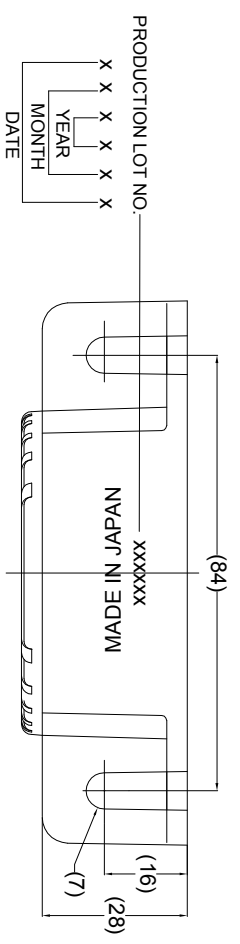
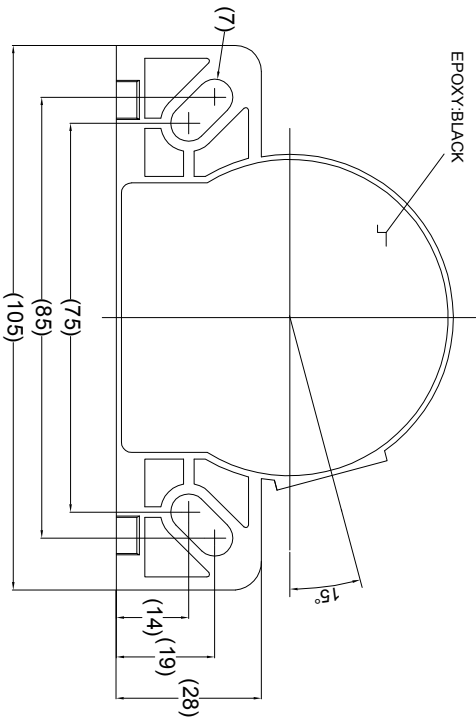
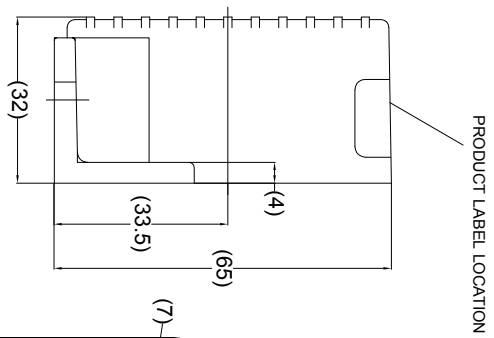
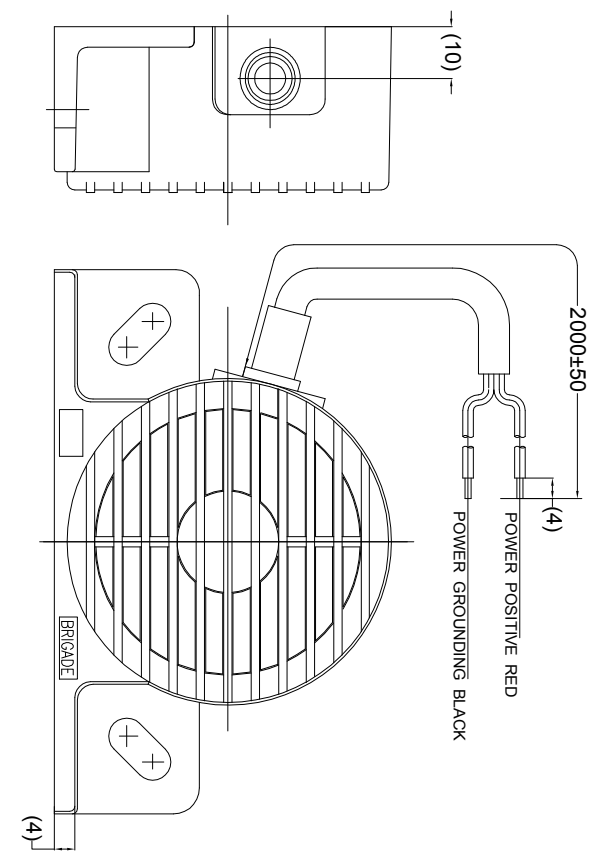


Revision Notes			
R1 - UPDATED TO CURRENT BRIGADE STANDARDS			
APRIL KIDA	Drawn: RBATES	Checked: GULITH	Approved: SMATTHEWS Date: 15/03/13
R2 - NOTES UPDATED TO INCLUDE LABEL DETAILS AS PER ECR CR-A274.			
APRIL KIDA	Drawn: RBATES	Checked: MBUTLER	Approved: GULITH Date: 28/08/14



- SPECIFICATION:**
1. RATED VOLTAGE: 122/4 VOLTS DIRECT CURRENT (WORKING VOLTAGE RANGE 9-32 VOLTS)
 2. RATED CURRENT: 0.2 AMPERES OR LESS.
 3. SOUND PRESSURE: 87/4 DECIBELS AT TEST VOLTAGES OF 14-28 VOLTS (AS MEASURED AT A DISTANCE OF 1.2 METERS AND AT A HEIGHT OF 1.2 METERS ABOVE THE GROUND)
 4. FREQUENCY: 1400±200HZ AT TEST VOLTAGES OF 14-28 VOLTS.
 5. INTERMITTENCE: 80±10 CYCLES PER MINUTE AT TEST VOLTAGES OF 14-28 VOLTS.
 6. DURABILITY: CONSECUTIVE 500 HOURS AT TEST VOLTAGES OF 14-28 VOLTS
 7. SURGE VOLTAGE: TO BE FREE FROM ABNORMALITY WHEN APPLYING 100V, 100ms PULSES FOR 5 SECONDS AT TEST VOLTAGE OF 28V.
 8. RANGE OF OPERATING TEMP. GUARANTEED: -40°C ~ 85°C.
 9. WATER RESISTANCE: TO RESIST WATER AND BE ABNORMALITY-FREE AS TESTED SUBJECT TO ITEM S1, JIS D0203.
 10. VIBRATION RESISTANCE: TO SATISFY A REQUIREMENT OF 10G SPECIFIED FOR SAEJ994
 11. DUST PROOFNESS: TO BE ABNORMALITY FREE AFTER SUBJECT TO ITEM F2, JIS D0207.
 12. OTHERS: SUBJECT TO SAE-J994.

- NOTES:**
1. FOR PRODUCT LABEL, REFER TO LATEST REVISION OF DRAWING BE-002833-XX-14.
 2. FOR GIFTBOX LABEL REFER TO LATEST REVISION OF DRAWING BE-002834-XX-14.
 3. 'R' TRIANGLE INDICATES CHANGES MADE REVISION OF DRAWING AS IDENTIFIED IN NOTES.



PROPRIETARY NOTICE
 THIS DESIGN AND TECHNICAL INFORMATION APPEARING ON THIS DRAWING IS THE PROPERTY OF BRIGADE ELECTRONICS AND IS DISCLOSED IN CONFIDENCE. IT IS NOT TO BE COPIED, REPRODUCED, REVEALED TO OR EXPLOITED BY OTHERS, EITHER IN WHOLE OR IN PART WITHOUT THE EXPRESS WRITTEN CONSENT OF BRIGADE ELECTRONICS.

BRIGADE
 www.brigade-electronics.com

 Third Angle	Assembly PI Approval KILDA - 15/03/13	Approved by DKERRAI	Checked by DKERRAI	Drawn by DKERRAI
	Angle of Projection	Units mm	Scale N/A	Assembly Ref BA-118-87TC2
	Status RELEASED	BA-130TCA-2		
	Part No 1284	BE-000443-02-05		